



**TT CHARGER-PORTABLE CHARGER-24/48V-100A  
CHGR-TT-PC-24V/48V-100A**



**PFC ≥ 0.98**



**Overvoltage protection**



**Over temperature protection**



**Short circuit protection**

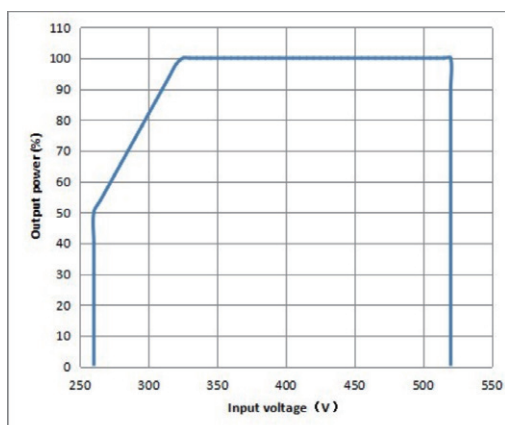


**IP65 Waterproof**

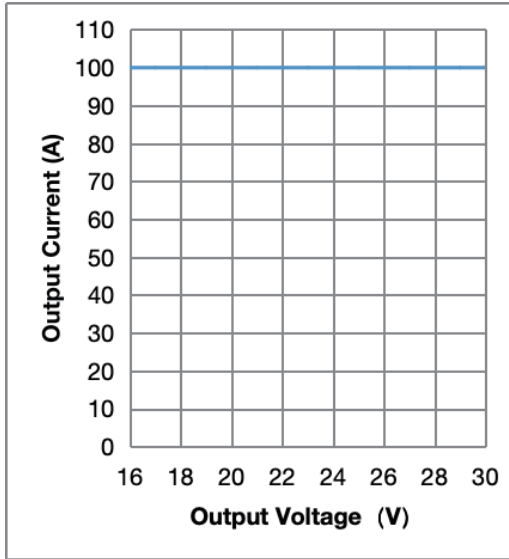
## Technical Data

Input	CHGR-TT-PC-24V-100A	CHGR-TT-PC-48V-100A
Voltage range	90-264VAC	
Frequency range	47Hz-60Hz	
Wiring	L, N, PE	
Rated input current	≤16A	≤32A
Power factor	≥0.99@220Vac 50-100% Load	
Output		
Output Voltage	16-30VDC	32-60VDC
Max. Output Power	3200W(190Vac-264Vac)	6400W(190Vac-264Vac)
Max. Output Current	100A	
Voltage regulation accuracy	≤±1.2%Vo	
Ripple and Noise	≤±2%Vo @ 25 C output full-load (Bandwidth≤20MHz)	
Protection		
Output overcurrent	110% output off (Automatic recovery) , 120% stop charging (Need to restart)	
Output overvoltage	Stop charging when output voltage is greater than the settled voltage 3V	
Input overvoltage	270±2Vac output off, 265±2Vac output recovery	
Input undervoltage	85±2Vac close the output, 90±2Vac output recovery	
Low input voltage derating	90Vac-180Vac output current limited to 50% of the maximum current, Input voltage > 185Vac return to full power output	
Environment		
Working Temp.	-20 C -+55 C (>40 C derating)	
Working humidity	20%-90% (non-condensing)	
Storage temp., humidity	-25 C - +75 C , 10-90% RH	
Altitude	≤2000m	
System		
Efficiency	≥91.5%@220Vac 50-100% load (highest over 93%)	≥92.5%@220Vac 50-100% load (highest over 94%)
Communication method	RS485/CAN	
Dimensions	352.4mm×279.4mm×183.8mm	
Weight	12.4kg	14.5kg
Color	Available in yellow, white and blue colors	
Indicator state		
Standby	Green light flashing	
Charging	Steady green light	
Fault	Steady red light	

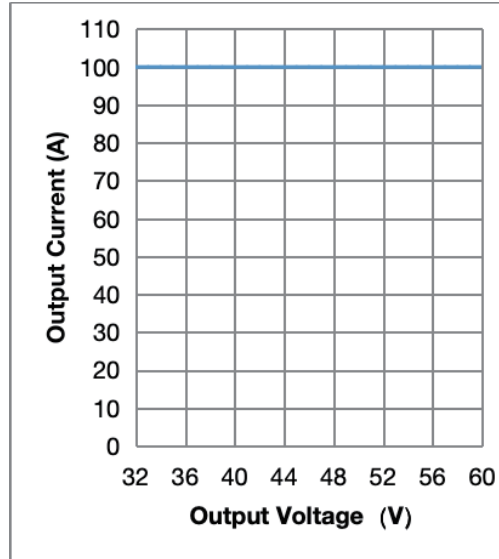
## Input Characteristic Curve



### Output Characteristic Curve

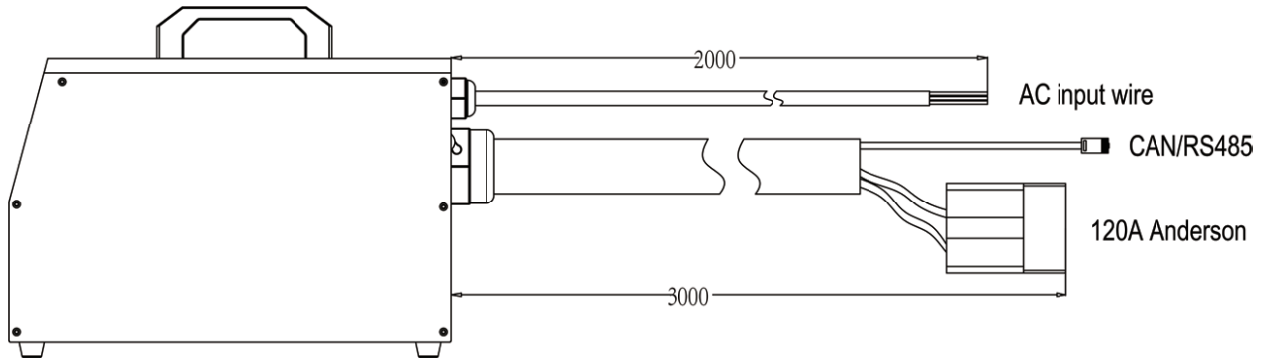


CHGR-TT-PC-24V-100A



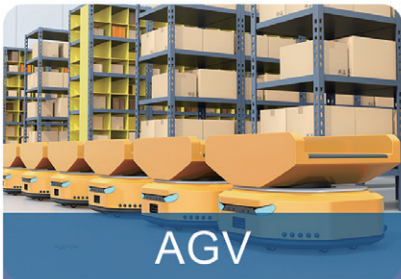
CHGR-TT-PC-48V-100A

### Wiring Instructions

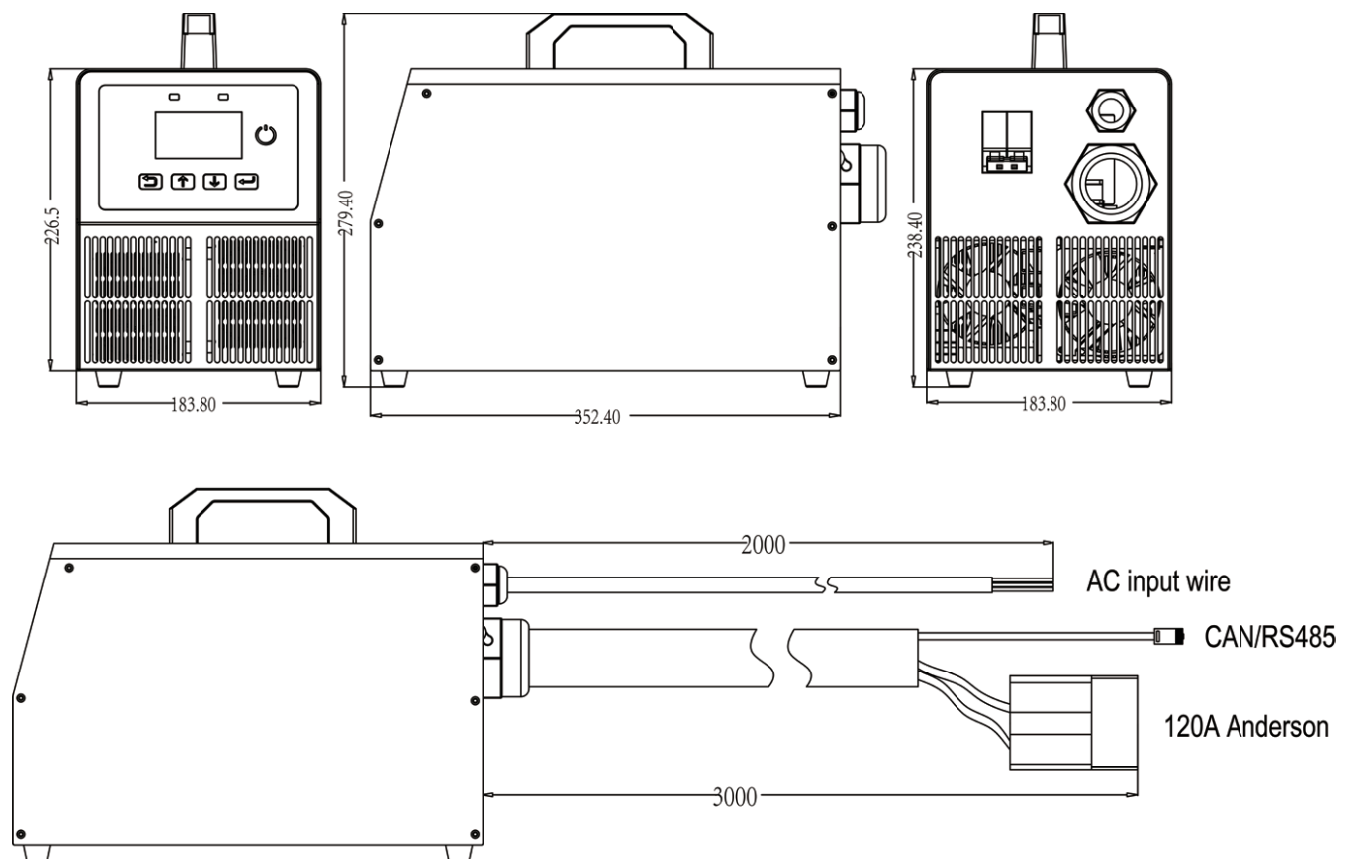


Signal name	Terminal model	Pin number	Pin Description
AC Input	E6012 tubular terminal block	Brown	L
		Blue	N
		Yellow-Green	PE
Battery	120A Anderson	Red	BAT+
		Black	BAT-
CAN	RJ45	1、 2、 3、 6、 8	NC
		4	CANH
		5	CANL
		7	GND
RS485	RJ45	1	485-B
		2	485-A
		3	GND
		4、 5、 6、 7、 8	NC

## Application Scenarios



## Product Dimensions



(Unit: mm)