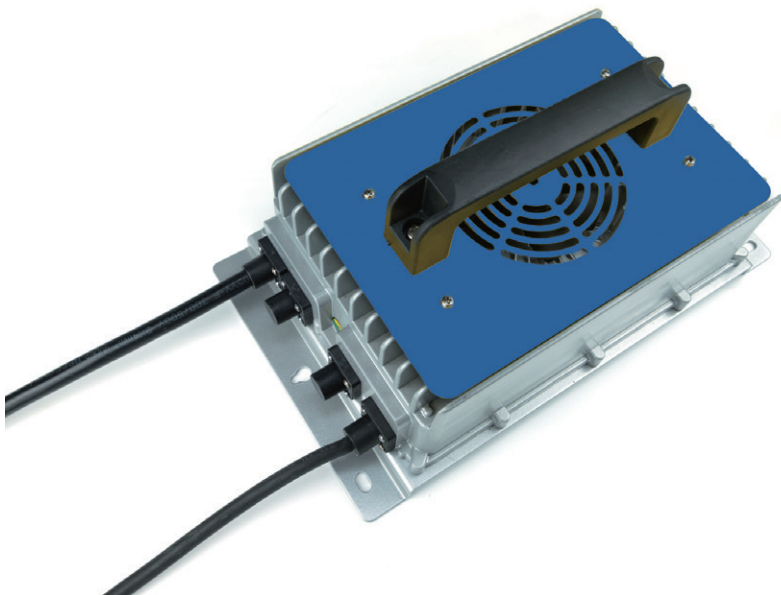




**TT CHARGER-LFP-WATERPROOF-48V-30A
CHGR-TT-LFP-WP-48V-30A-D**



PFC \geq 0.98



Overvoltage protection



Over temperature protection



Short circuit protection

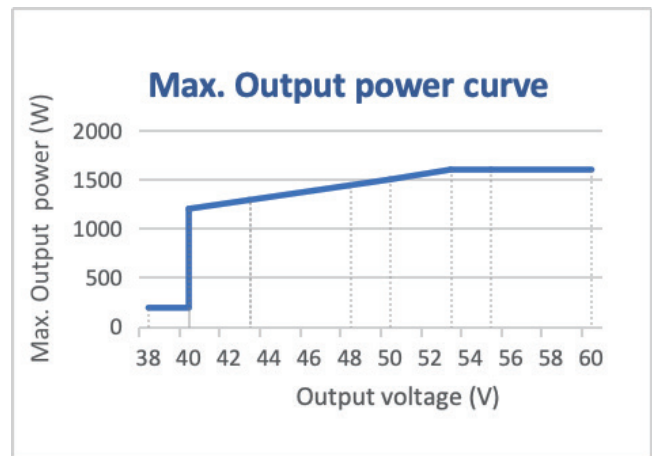
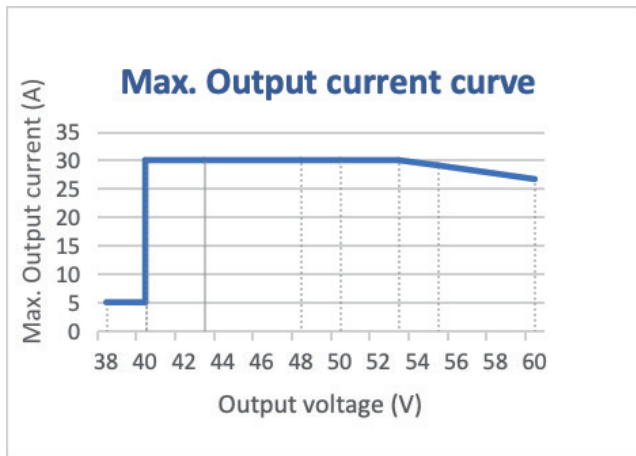


IP65

Technical Data

Input		CHGR-TT-LFP-WP-48V-30A-D
Voltage range		90~264VAC
Frequency range		45~65Hz
Input current(Typ.)		8A/220VAC
Power Factor(Typ.)		≥0.98 (Tested when the power is above half power)
Inrush current(Typ.)		Cold start 50A at 220VAC
Max. Efficiency(Typ.)		93%(220VAC); 91%(110VAC)
Leakage current		<0.5mA/220VAC (60335-1/2-29), 1.5mA Peak/240VAC (62368-1)
Output		
Charging phase		Pre-charge + constant current + constant voltage
Max. output power		1600W@220VAC 800W@110VAC
Max. output Voltage		60V
Max. output current		30A @220VAC 15A@110VAC
Constant voltage		54.0V(LiFePO4 in 15 Series)/ 57.6V(LiFePO4 in 16 Series)/ 54.6V(NMC in 13 series)
Max. current ripple		500mA _{p-p}
Static power		<3W
Protection		
Short circuit		Yes
Over temperature		Yes
Function		
Indicator light		Yes
Environment		
Cooling		Fan cooling
Waterproof		IP65
Working Temp.		-20 ~ 50 C
Working humidity		10% ~ 90% RH non-condensing
Storage temp., humidity		-40 ~ 80 C , 10% ~ 90% RH non-condensing
Vibration resistant		10 ~ 500HZ, 2G 10 minutes/cycle, X, Y, Z axis each 60 minutes
SAFETY & EMC		
Safety standards		GB/T4706
Withstand voltage		I/P-O/P: 2KVAC I/P-FG: 2KVAC O/P-FG: 2KVAC
Isolation resistance		I/P-O/P, I/P-FG, O/P-FG: 100M ohms/500VDC/25 C/70%RH
EMC emission		GB/T 9254 Class A
EMC immunity		GB/T17618
Indicator state		
Yellow indicator		Steady on: almost full; 0.5S cycle flashing: initial power-on
Green indicator		Steady on: fully charged ; 1S cycle flashing: battery not connected
		Steady on: charging; 0.5S cycle flashing: the battery is reversed
Red indicator		1S period blinking: output overcurrent; 2S period blinking: high battery voltage
		3S period blinking: low battery voltage; 4S period blinking: The Charger is overheated
		5S cycle flashing: battery failure
Others		
MTBF		>100K hours
Weight		3.15kg
Dimensions		289*158*82 mm

Charging Curve

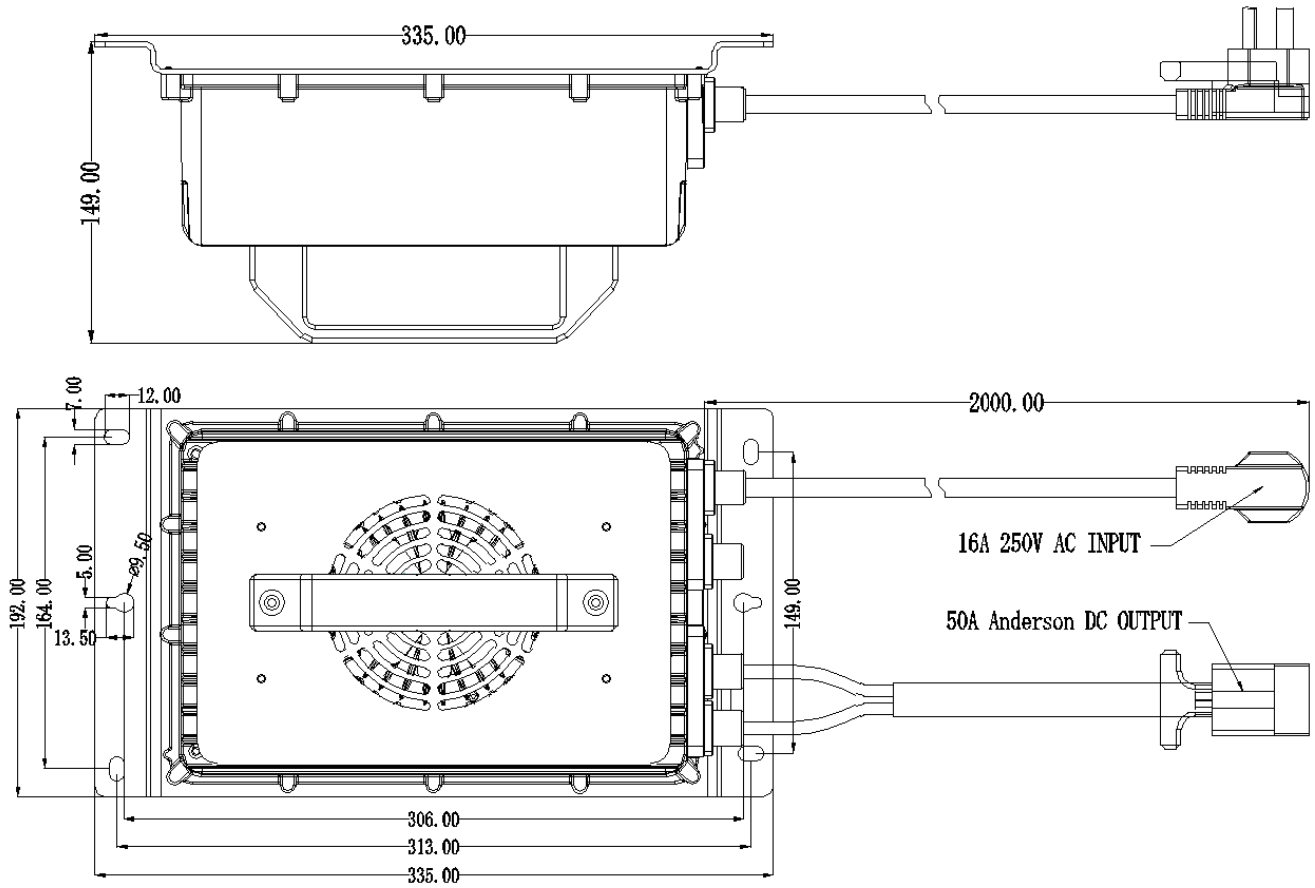


Note: standard cable length is 2m.

Application Scenarios



Product Dimensions



(Unit: mm)