



GERMAN-based company ●●●

SOLAR PARKING LOT
(CARPORT)
430Wp - *Waterproof*

2024

TOMMATECH SOLAR PARKING LOT (CARPORT)

TommaTech Single Car Carport Package

1. PACKAGE CODE: CARPORT-1CAR-108TNP10



TommaTech Trio EV Charger

TT430-108TNBCK10 Waterproof Solar Panel

TommaTech Trio Hybrid K Three Phase Inverter

DC Red-Black Solar Cable

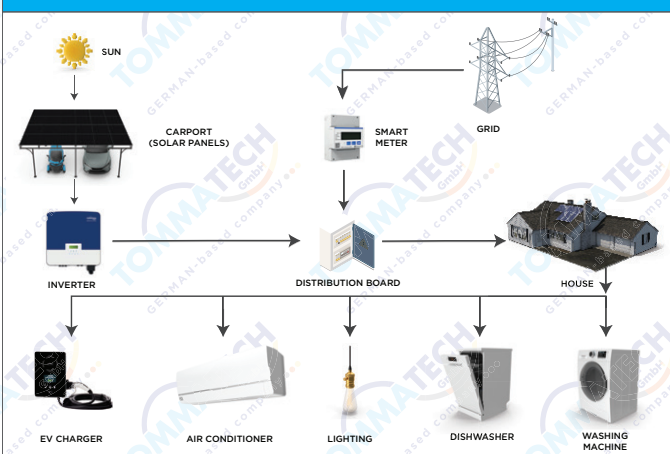
Smart Meter TT Next Generation Wi-Fi Dongle

TT General Pack+Booster Pack LFP Battery*

Designed to increase the use and application areas of clean and endless solar energy, TommaTech Solar Carports offers smart solutions to users.

Product Code	Description	Quantity	Unit
EVC-TT-TF-22.0KW-OCPP	TommaTech 22kW Trio EV Charger	1	Piece
TT430-108TNBCK10	TommaTech 430Wp Waterproof Topcon Solar Panel	8	Piece
ONG-TT-09-H-6.0-S-MF	TommaTech 6kW Trio Hybrid K Three Phase Inverter	1	Piece
ONG-TT-35-MTR-SMRT-TF	TommaTech Three Phase Smart Meter Accessory	1	Piece
ONG-TT-32-WIFI-MBL-NG	TommaTech Next Generation Wi-Fi Dongle Accessory	1	Piece
KBL-SYH6MM-SLRKBL	DC Black Solar Cable	20	Meter
KBL-KRMZ6MM-SLRKBL	DC Red Solar Cable	20	Meter

CONNECTION DIAGRAM



ENERGY GENERATION



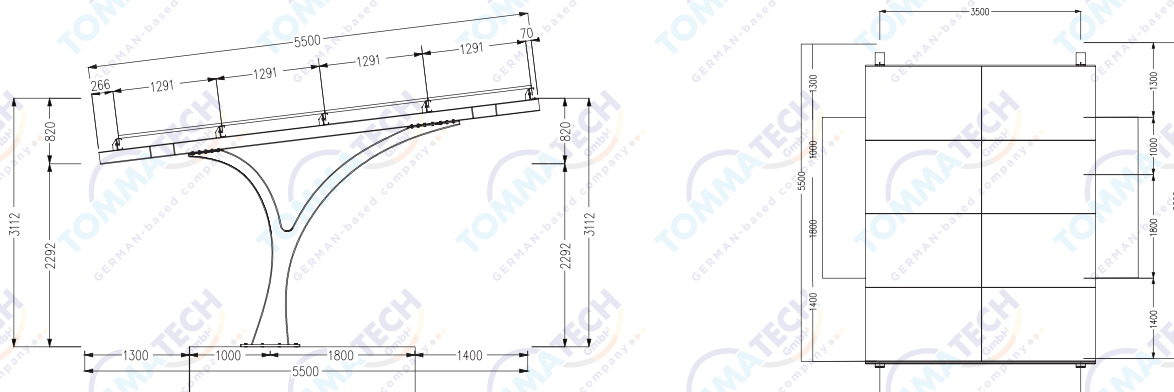
* LFP battery can be optionally included in the package. If preferred, the capacity can be increased.

** The data and technical specifications given in this document are for preliminary information and may vary depending on the way the products are used, the system design and the environmental conditions.

TECHNICAL SPECIFICATIONS

CARPORT	
Number of Vehicles	1 Vehicle
Number of Solar Panels	8
Type of Solar Panels	TT430-108TNBCK10 Waterproof
Max. Power of Solar Panels [Wp]	430
Total Installed Power [kWp]	3.44
Total Solar Panel Area [m ²]	16.42
Solar Panel Angle [°]	10
Available Parking Area Dimensions (WxD) [m]	3.99x5.20
Min. Inner Height [m]	2.20
Max. Inner Height [m]	3.00
Solar Panel Direction	South
Construction Material	Steel
SOLAR PANEL	
Peak Power [Pmax]	430Wp
Module Efficiency [%]	21.76
Cells per Module [mm]	182x91
Panel Dimensions [Number]	108 (6x18)
Weight [kg]	23.20
Panel Dimensions [mm]	1762x1165.1x25.6
INVERTER	
Max. PV Array Input Power [Wp]	10000
Max. PV Input Voltage [V]	1000
MPPT Voltage Range [V]	180~950
Max. Input Current (MPPT A / (MPPT B) [A]	16/16
Nominal AC Output Power [W]	6000
Max. AC Output Apparent Power [VA]	6600
Max. AC Output Current [A]	9.70
Communication Interfaces	Dongle Wifi
EV CHARGER	
Nominal Output Voltage [V]	400±%10
Nominal Output Current [A]	32
Available Power [kW]	22

TECHNICAL DRAWINGS

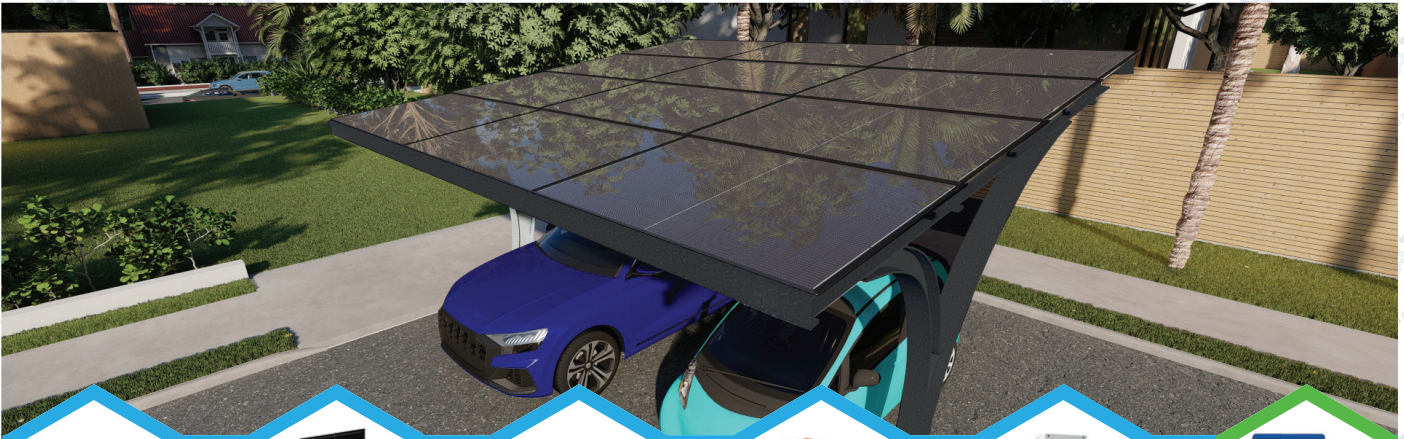


* The specifications are obtained under the standard test conditions: 1000W/m² solar irradiance, 1.5 Air Mass and cell temperature of 25°C. Measurement uncertainty for all panels is 3%. The actual transactions will be subject to the contracts. These parameters are for reference only and it is not a part of the contracts. The technical specifications in this document may vary.
* TommaTech® GmbH reserves the right to change the specification of products without prior notice.

TOMMATECH SOLAR PARKING LOT (CARPORT)

TommaTech Two Car Carport Package

2.PACKAGE CODE: **CARPOR-2CAR-108TNP10**



TommaTech Trio EV Charger

TT430-108TNBCK10 Waterproof Solar Panel

TommaTech Trio Hybrid K Three Phase Inverter

DC Red-Black Solar Cable

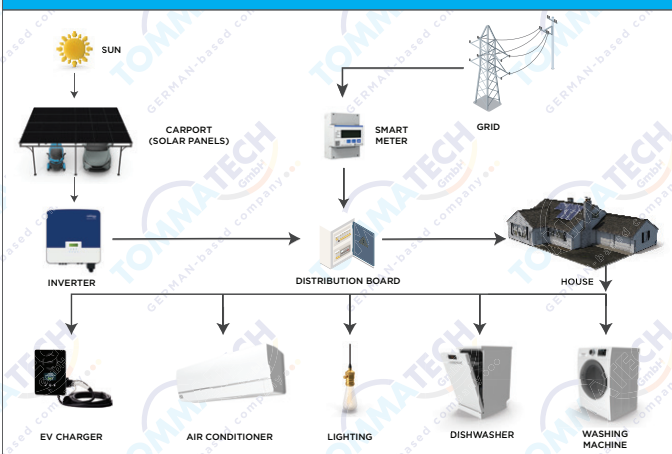
Smart Meter TT Next Generation Wi-Fi Dongle

TT General Pack+Booster Pack LFP Battery*

Designed to increase the use and application areas of clean and endless solar energy, TommaTech Solar Carports offers smart solutions to users.

Product Code	Description	Quantity	Unit
EVC-TT-TF-22.0KW-OCPP	TommaTech 22kW Trio EV Charger	1	Piece
TT430-108TNBCK10	TommaTech 430Wp Waterproof Topcon Solar Panel	12	Piece
ONG-TT-09-H-6.0-S-MF	TommaTech 6kW Trio Hybrid K Three Phase Inverter	1	Piece
ONG-TT-35-MTR-SMRT-TF	TommaTech Three Phase Smart Meter Accessory	1	Piece
ONG-TT-32-WIFI-MBL-NG	TommaTech Next Generation Wi-Fi Dongle Accessory	1	Piece
KBL-SYH6MM-SLRKBL	DC Black Solar Cable	25	Meter
KBL-KRMZ6MM-SLRKBL	DC Red Solar Cable	25	Meter

CONNECTION DIAGRAM



ENERGY GENERATION



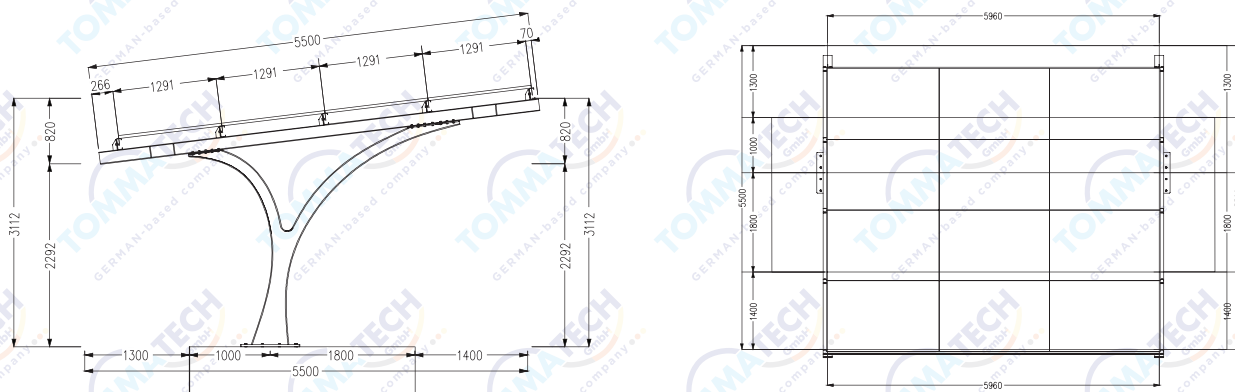
* LFP battery can be optionally included in the package. If preferred, the capacity can be increased.

** The data and technical specifications given in this document are for preliminary information and may vary depending on the way the products are used, the system design and the environmental conditions.

TECHNICAL SPECIFICATIONS

CARPORT	
Number of Vehicles	2 Vehicles
Number of Solar Panels	12
Type of Solar Panels	TT430-108TNBCK10 Waterproof
Max. Power of Solar Panels [Wp]	430
Total Installed Power [kWp]	5.16
Total Solar Panel Area [m ²]	24.63
Solar Panel Angle [°]	10
Available Parking Area Dimensions (WxD) [m]	3.99x5.20
Min. Inner Height [m]	2.20
Max. Inner Height [m]	3.00
Solar Panel Direction	South
Construction Material	Steel
SOLAR PANEL	
Peak Power [Pmax]	430Wp
Module Efficiency [%]	21.76
Cells per Module [mm]	182x91
Panel Dimensions [Number]	108 (6x18)
Weight [kg]	23.20
Panel Dimensions [mm]	1762x1165.1x25.6
INVERTER	
Max. PV Array Input Power [Wp]	10000
Max. PV Input Voltage [V]	1000
MPPT Voltage Range [V]	180~950
Max. Input Current (MPPT A / (MPPT B) [A]	16/16
Nominal AC Output Power [W]	6000
Max. AC Output Apparent Power [VA]	6600
Max. AC Output Current [A]	9.70
Communication Interfaces	Dongle Wifi
EV CHARGER	
Nominal Output Voltage [V]	400±%10
Nominal Output Current [A]	32
Available Power [kW]	22

TECHNICAL DRAWINGS



* The specifications are obtained under the standard test conditions: 1000W/m² solar irradiance, 1.5 Air Mass and cell temperature of 25°C. Measurement uncertainty for all panels is 3%. The actual transactions will be subject to the contracts. These parameters are for reference only and it is not a part of the contracts. The technical specifications in this document may vary.
* TommaTech® GmbH reserves the right to change the specification of products without prior notice.



GERMAN-based company ●●●

2024

tommatech.de

