

TT BATARYA SARJ UNITESI-DUVAR TIPI-80V-100A
SRJ-TT-AC-DVR-80V-100A



PFC ≥ 0.98



Overvoltage protection



Over temperature protection



Short circuit protection

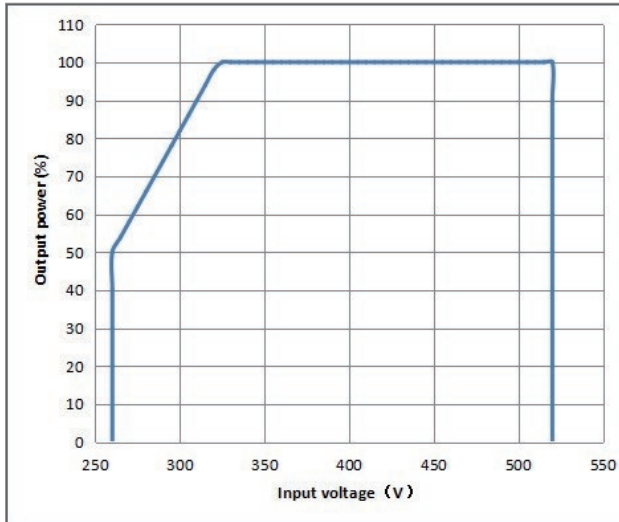


IP65 Waterproof

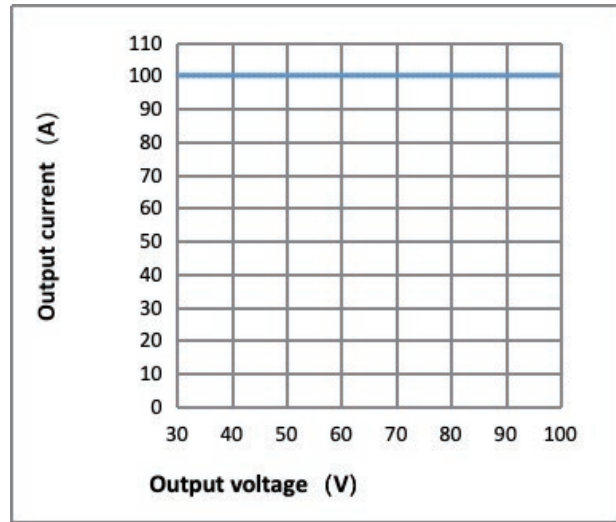
Technical Data

Model		SRJ-TT-AC-DVR-80V-100A
Input		
Voltage range	265Vac ~ 520Vac (3-phase)	
Frequency range	47Hz ~ 60Hz	
Rated input current	≤20A	
Wiring	L1、L2、L3、PE	
Power factor	≥0.99@220Vac 50-100% Load	
Output		
Output Voltage	30 ~ 100VDC	
Max. Output Current	100A	
Max. Output Power	10000W(323Vac ~ 520Vac)	
Voltage regulation accuracy	≤±0.5%Vo	
Ripple and Noise	≤1%Vo@ 25 °C output full-load(Bandwidth≤20MHz)	
Protection		
Output overcurrent	110% output off (Automatic recovery) , 120% stop charging (Need to restart)	
Output overvoltage	Stop charging when output voltage is greater than the setted voltage 3V	
Input overvoltage	525±2Vac output off, 520±2Vac output recovery	
Input undervoltage	260±2Vac output off, 265±2Vac output recovery	
Low input voltage derating	323Vac ~ 520Vac (full-load) , 323Vac ~ 260Vac (Linear down to half load)	
Environment		
Working Temp.	-20 °C ~ +60 °C (>50 °C derating)	
Working humidity	20% ~ 90% (non-condensing)	
Storage temp., humidity	-25 °C ~ +75 °C , 10 ~ 90% RH	
Altitude	≤2000m	
System		
Efficiency	95%@380Vac 50-100% Load	
Communication method	RS485/CAN	
Dimensions	700mm×562mm×129mm	
Weight	24kg	
Color	Blue color	
Indicator state		
Standby	Green light flashing	
Charging	Steady green light	
Fault	Steady red light	

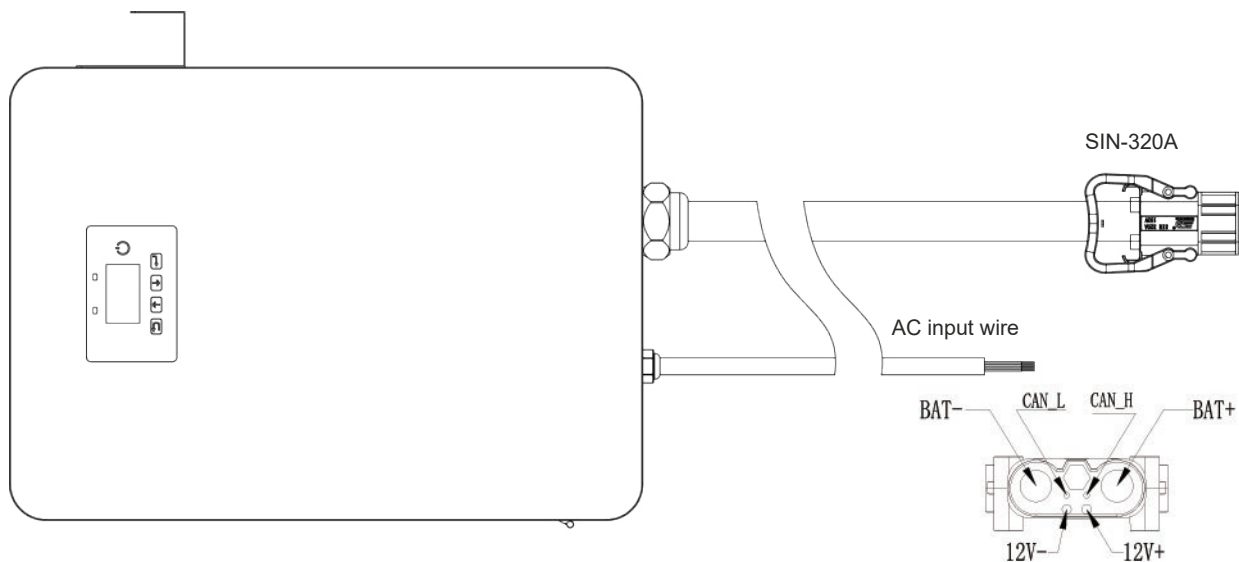
Input Characteristic Curve



Output Characteristic Curve



Wiring Instructions

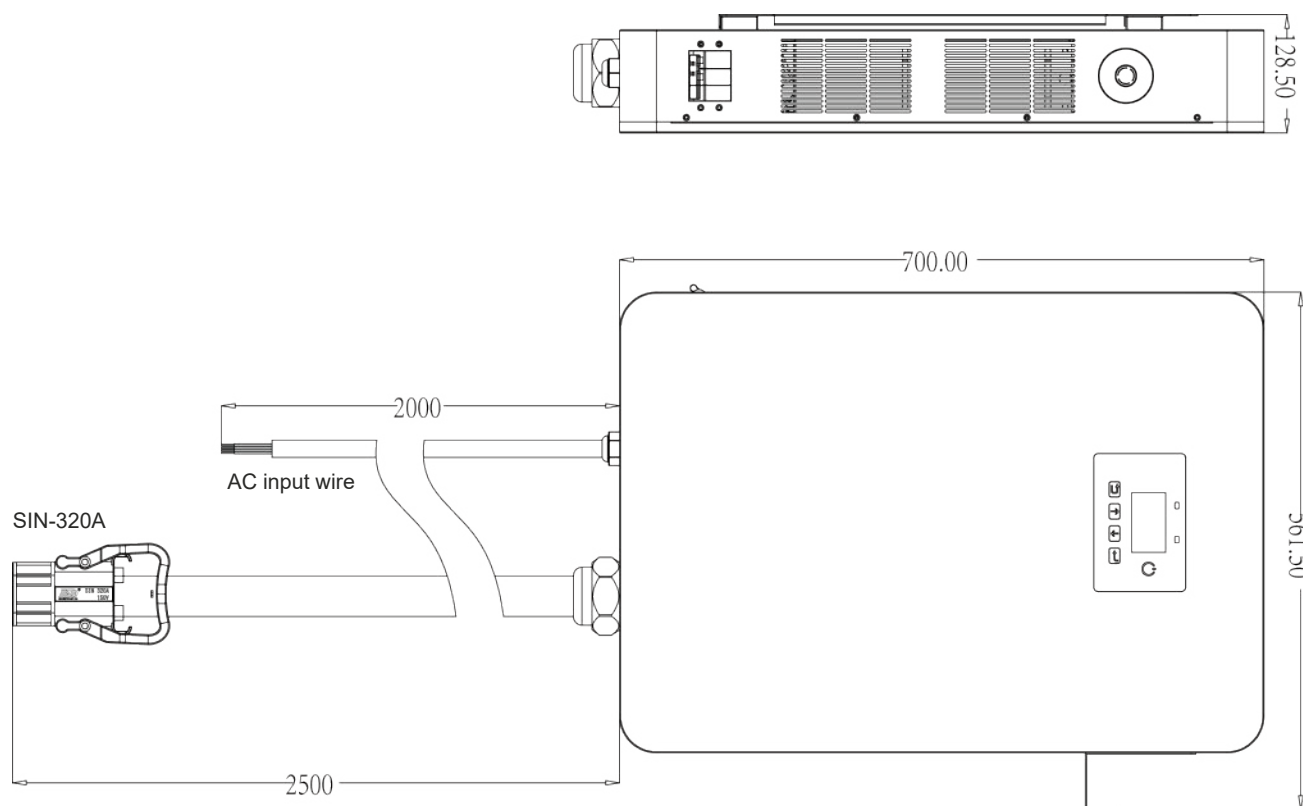


Signal name	Terminal model	Pin number	Pin Description
AC Input (3-phase)	E6012 tubular terminal block	Yellow	L1
		Green	L2
		Red	L3
		Yellow-green	PE
DC Output	SIN-320A (Forklift charging plug)	BAT+	BAT+
CAN/RS485 (communication)		BAT-	BAT-
		CAN_L	CAN_L or 485_B
12V(Auxiliary power)		CAN_H	CAN_H or 485_A
		12+	12V+ or Null
		12-	12V- or Null

Application scenarios



Product Dimensions



(Unit: mm)